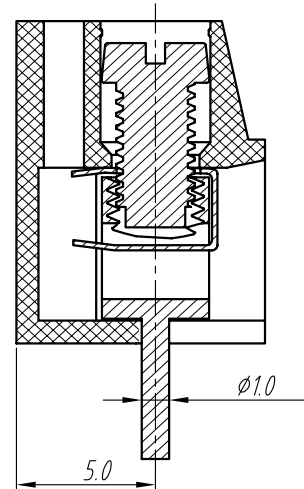
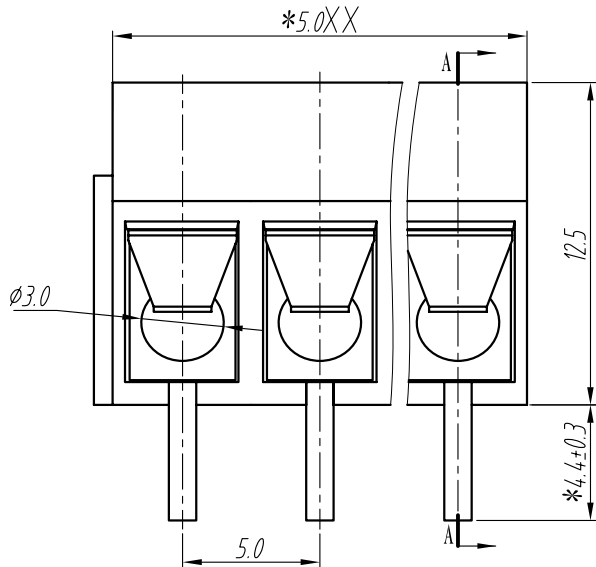




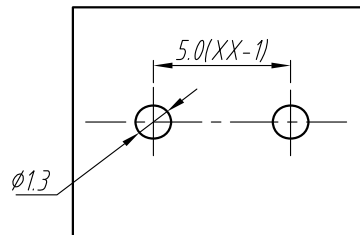
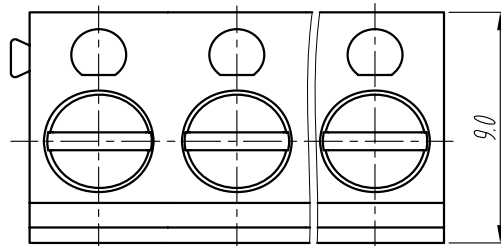
CIXI WANJIE ELECTRONIC CO., LTD

product specification



SECTION A-A

P.C.B.LAYOUT



Electrical

Standard	UL	IEC
Rated voltage	250V	250V
Rated current	16A	24A
Contact resistance	20mΩ	
Insulation resistance	5000MΩ/DC1000 V	
Wire range	22-14 AWG 2.5mm ²	
Withstanding voltage	AC 2000V/1 Min	

Mechanical

Temp.Range	-30 °C ~ +120 °C
MAX Soldering	+250 °C for 5 Sec
Torque	0.5Nm(4.5lb .in)
Strip length	4.5-5mm

Dimensions

Pitch	5.0mm , 10.0mm
Poles	2p. xxp

Material

Housing	PA66,UL94V-0
Screws	M3 steel Zinc plated
Pin housing	Brass, Tin plated
Wire guard	Phosphor bronze, Ni plated

TOLERANCES EXCEPT AS NOTED

	linear dimension				fillet chamfer		∠ short angle side				— □ // ⊥						
	over 6 to 6	over 30 to 120	over 120 to 480	over 480 to	all to 6	to 10	over 6 to 10	over 10 to 50	over 50 to 120	over 120 to	all to 5	to 30	over 5 to 30	over 30 to 120	over 120 to		
variable range	±0.1	±0.2	±0.3	±0.5	±0.9	±0.2	±0.5	±1	1°	30'	20'	10'	0.5	0.025	0.06	0.12	0.4

UNITS	mm	SIZE	A4	SCALE	FIRST ANGLE PROJECTION	
CIXI WANJIE ELECTRONIC CO., LTD						
					NAME	WJ300-5.0